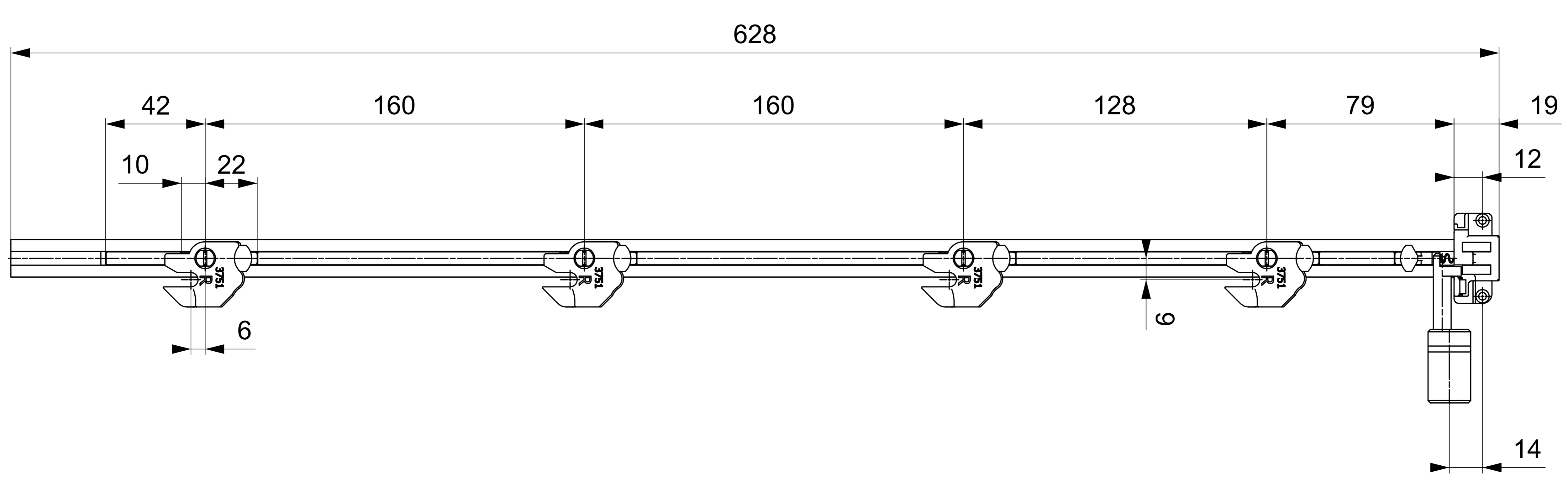


519
476.5

37

33
9
32.5
58.3
7.2



628

42 160 160 128 79 19
10 22 6 9 12 14

System		Teil Name, für Materialbestellung		Material	
TopSolid		Datei: 131212011_V1.rvt		131212011_V1.rvt	
Author	131212011_V1.rvt	Created	131212011_V1.rvt	Material	131212011_V1.rvt
Version	131212011_V1.rvt	Created	131212011_V1.rvt	Material	131212011_V1.rvt
Revision	131212011_V1.rvt	Created	131212011_V1.rvt	Material	131212011_V1.rvt
Scale	1:1	Created	131212011_V1.rvt	Material	131212011_V1.rvt
Sheet	3	Created	131212011_V1.rvt	Material	131212011_V1.rvt
AD	3	Created	131212011_V1.rvt	Material	131212011_V1.rvt

Container-Orgaker Raster32
1HE-2HE-2HE-2HE-2HE